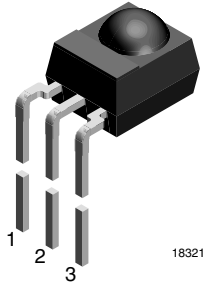


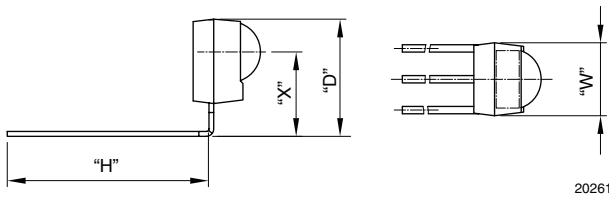
IR Receiver Modules for Remote Control Systems


FEATURES

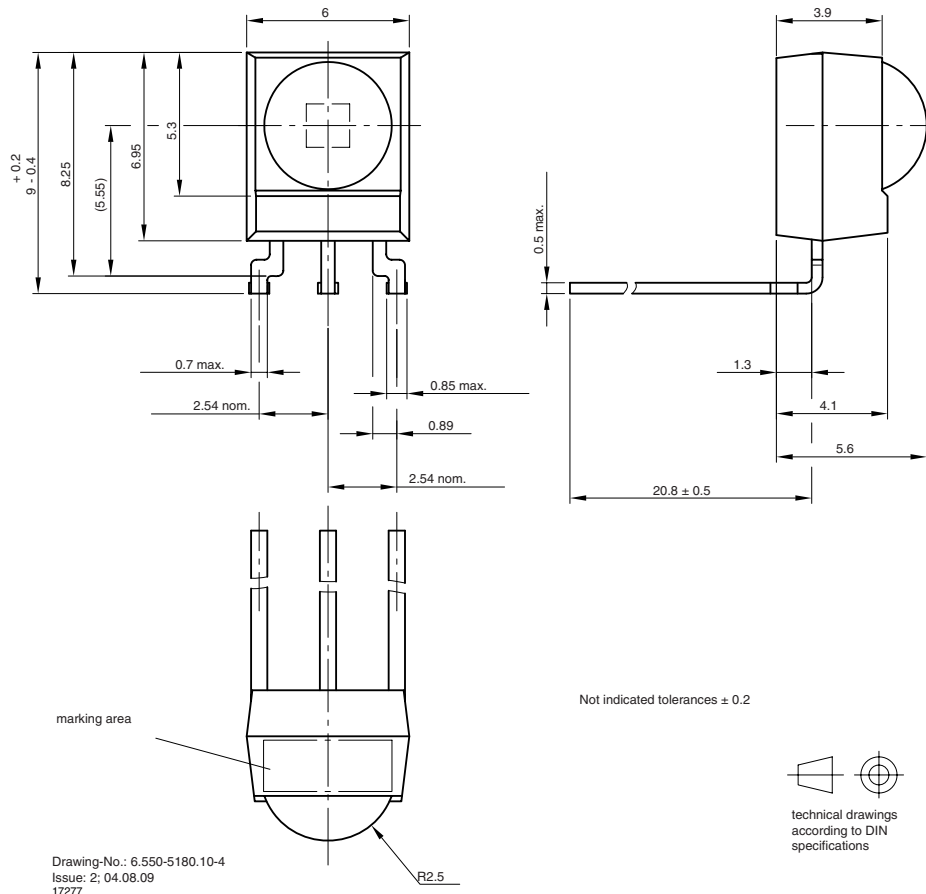
- Compliant to RoHS directive 2002/95/EC and in accordance to WEEE 2002/96/EC


AVAILABLE FOR:

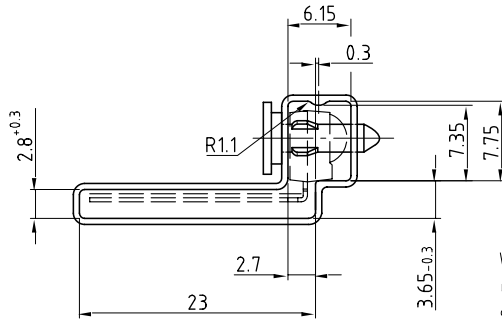
- TSOP34...
- TSOP4....
- TSOP32...
- TSOP2....


RoHS
COMPLIANT


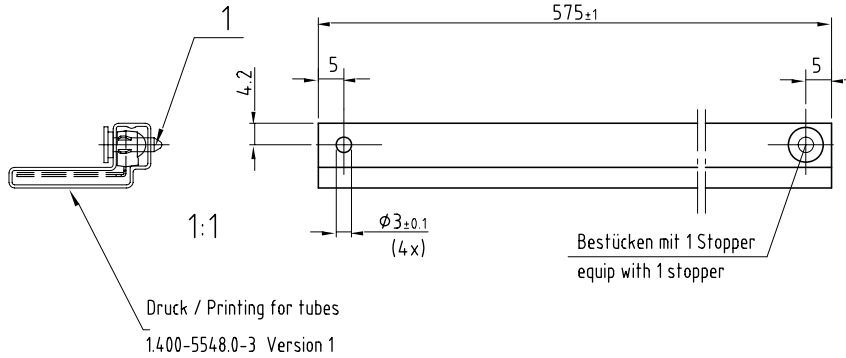
NAME	LENS AXIS (X)	VIEW	TYPE	HEIGHT (H)	WIDTH (W)	DEPTH (D)
SP1	6.3		Bend	20.8	6	9

MECHANICAL DIMENSIONS in millimeters

 Drawing-No.: 6.550-5180.10-4
 Issue: 2; 04.08.09
 17277

PACKAGING DIMENSIONS in millimeters



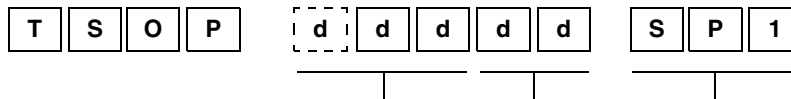
Wanddicke/wall thickness: $0.6 \begin{smallmatrix} +0.02 \\ -0.01 \end{smallmatrix}$
 Geradheit/Straightness 2
 Schnittwinkel/cut $90^\circ \pm 1^\circ$
 Innenradien/inner radii max 0.5
 Geprüft nach/approved to: LV 5145



Drawing-No.: 9.700-5275.0-4
 Rev. 2; Date: 20.11.03

20271

ORDERING INFORMATION



2 or 3 digit product series 2 digit frequency Holder type

Note

d = "digit", please consult the list of available series on the previous page to create a valid part number.

Example: TSOP14838SP1

PACKING QUANTITY

- 90 pieces per tube
- 32 tubes per carton